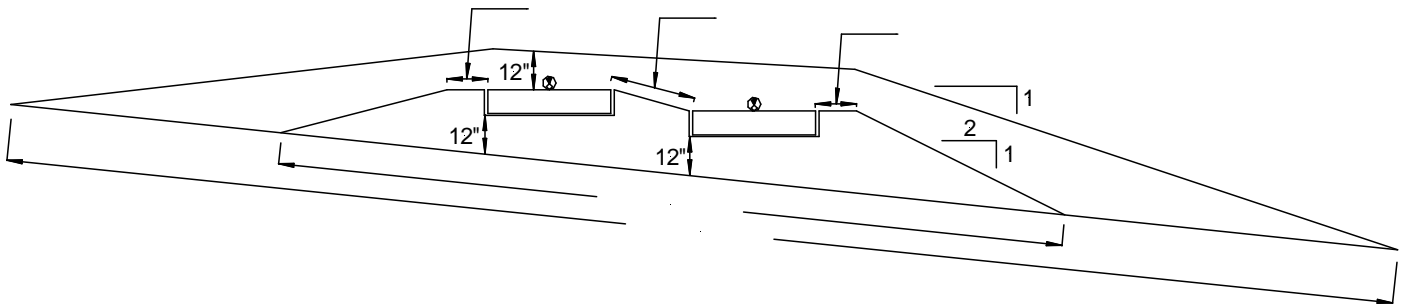
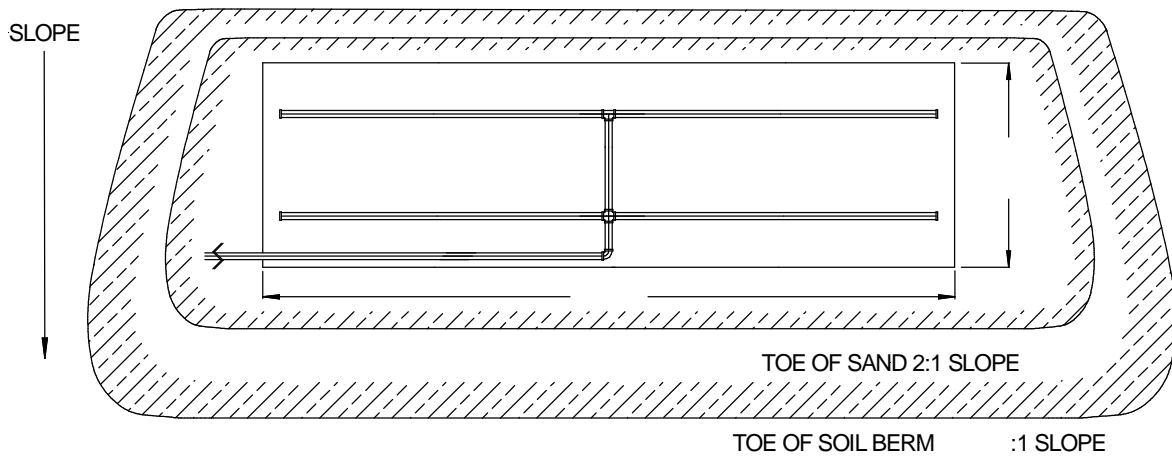
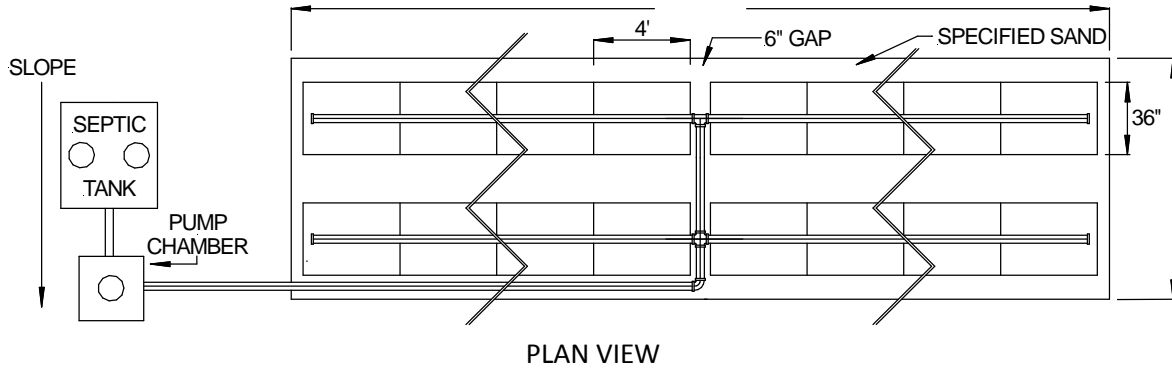


# Eljen GSF<sup>®</sup> 2 Line System

## DISTRIBUTION CELL WITH CONNECTIONS TO PUMP CHAMBER



### Notes:

1. On sites with slopes greater than 8% but less than 12% the length:width ratio shall be a minimum of 4:1 and the berm shall be a minimum of 3:1 slope.
2. On sites with slopes of 12 – 15%, the length:width ratio shall be a minimum of 6:1 and the berm shall be a minimum of 4:1.

NOT TO SCALE



[www.eljen.com](http://www.eljen.com)

**XP**ERTSEPTIC.com  
 the "no sand mound" guys  
**(888) 4 SEPTIC**  
 make us your first call